



# Finishing trims for Motivo Decorative Wall

March 2020

## New appearance of finishing trims

From March 2019 finishing trims for Motivo Decorative Wall change their appearance:

What does it mean?

- Aesthetic finishing of Motivo Decorative Wall
- Changed dimensions for even better matching the offer to consumer needs – all finishing trims are narrower
- Changed length of dedicated trims– 2,7 m
- New colors matching Vilo Motivo offer
- New EAN and indexes for B1-B5 trims
- B6 trim EAN codes and indexes stay the same



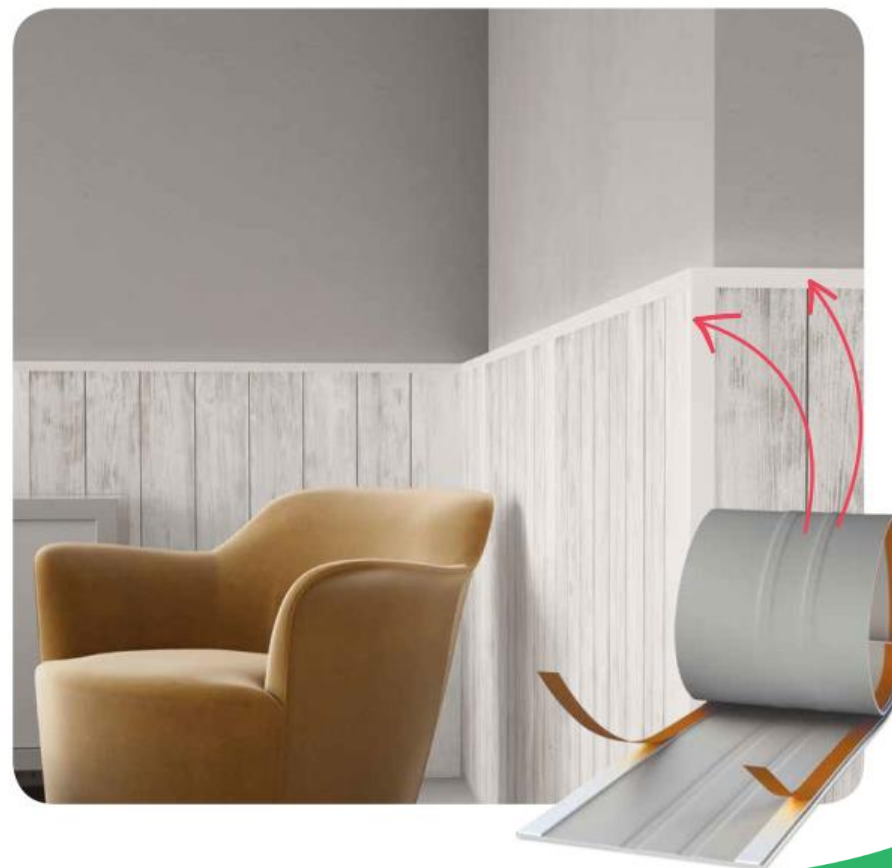
## Finishing trims

For the perfect effect, in our offer we present two types of finishing trims – universal trim B6 and dedicated trims B1-B5.

### Universal finishing trim Vilo B6

Thanks to its construction, self-adhesive trim B6 has universal usage. This trim is perfect to connect panels with each other (e.g. corners) or with a wall (finishings). New range of colours helps to match the trim ideally with picked Motivo decor.

B6 trim is 300 cm long.



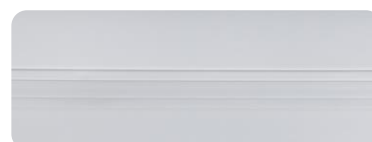
## Universal trim Vilo B6



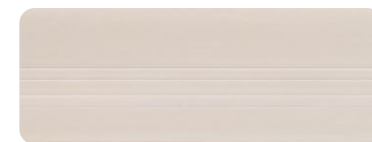
B601



B602



B603



B604



B605



B606



B607



B608



B609



B615



B616

## Universal trim Vilo B6 – new colours



B617



B618



B619



B620



B621

# Dane logistyczne

Index	New name	English name	Lenth (m)	Piece/ Cart.	MB/ Cart.	EAN Meter	EAN Piece	EAN Packaging
3009370	L.BOAZ. B601 UNIWERSALNA NEW 3M A	B601 UNIVERSAL TRIM 3M	3	5	15	5905952140505	5905952118658	5905952118665
3009371	L.BOAZ. B602 UNIWERSALNA NEW 3M A	B602 UNIVERSAL TRIM 3M	3	5	15	5905952140543	5905952118757	5905952118764
3009372	L.BOAZ. B603 UNIWERSALNA NEW 3M A	B603 UNIVERSAL TRIM 3M	3	5	15	5905952140512	5905952118672	5905952118689
3009373	L.BOAZ. B604 UNIWERSALNA NEW 3M A	B604 UNIVERSAL TRIM 3M	3	5	15	5905952140529	5905952118696	5905952118702
3009374	L.BOAZ. B605 UNIWERSALNA NEW 3M A	B605 UNIVERSAL TRIM 3M	3	5	15	5905952140550	5905952118771	5905952118788
3009375	L.BOAZ. B606 UNIWERSALNA NEW 3M A	B606 UNIVERSAL TRIM 3M	3	5	15	5905952140567	5905952118795	5905952118801
3009376	L.BOAZ. B607 UNIWERSALNA NEW 3M A	B607 UNIVERSAL TRIM 3M	3	5	15	5905952140574	5905952118818	5905952118825
3009377	L.BOAZ. B608 UNIWERSALNA NEW 3M A	B608 UNIVERSAL TRIM 3M	3	5	15	5905952140581	5905952118832	5905952118849

# Dane logistyczne

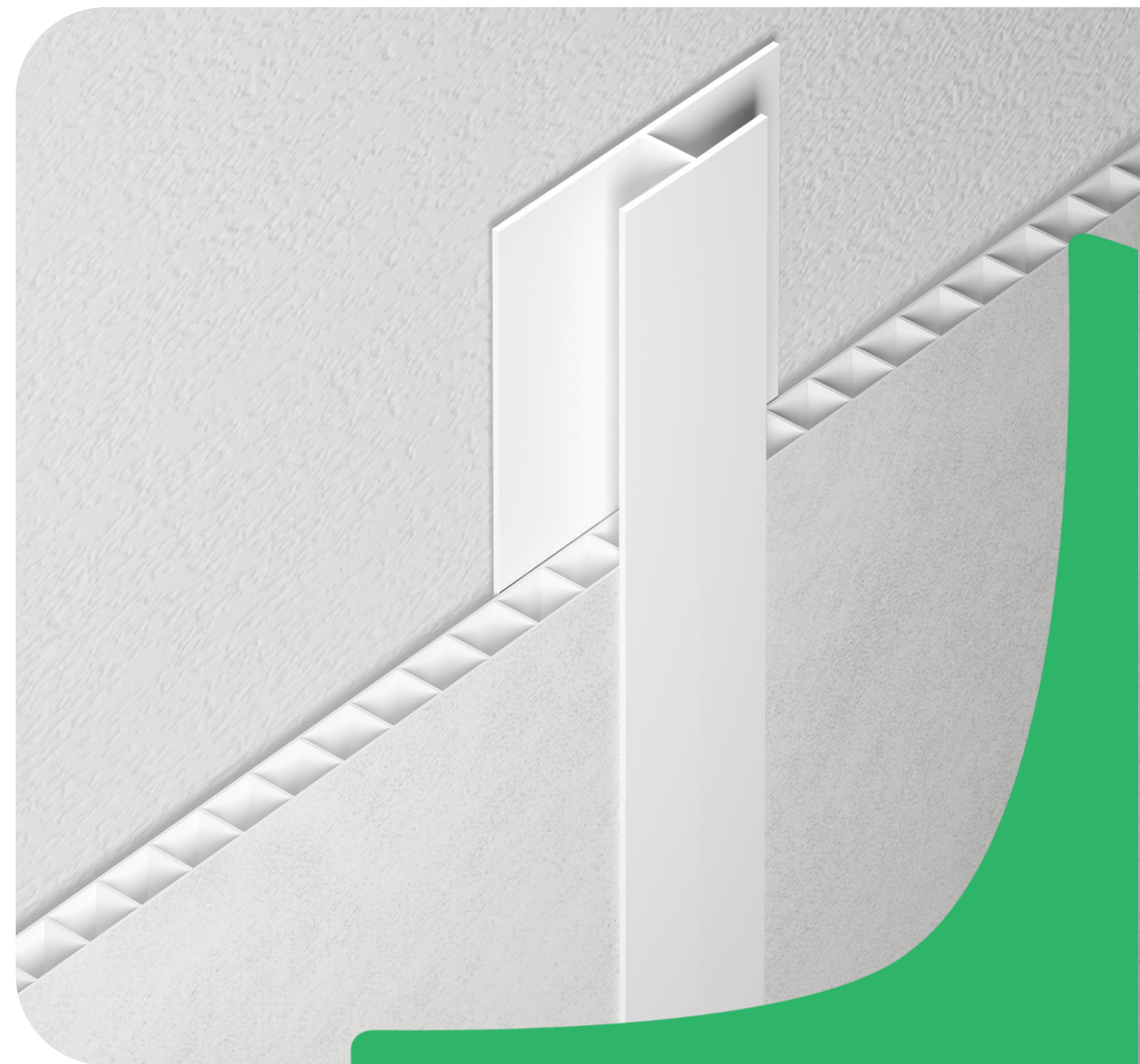
Index	New name	English name	Lenth (m)	Piece/ Cart.	MB/ Cart.	EAN Meter	EAN Piece	EAN Packaging
3009378	L.BOAZ. B609 UNIWERSALNA NEW 3M A	B609 UNIVERSAL TRIM 3M	3	5	15	5905952140536	5905952118719	5905952118726
3009380	L.BOAZ. B615 UNIWERSALNA NEW 3M A	B615 UNIVERSAL TRIM 3M	3	5	15	5905952141205	5905952130025	5905952130032
3009381	L.BOAZ. B616 UNIWERSALNA NEW 3M A	B616 UNIVERSAL TRIM 3M	3	5	15	5905952141212	5905952130049	5905952130056
3022457	L.BOAZ. B617 UNIWERSALNA NEW 3M A	B617 UNIVERSAL TRIM 3M	3	5	15	5905952243978	5905952244555	5905952245132
3022458	L.BOAZ. B618 UNIWERSALNA NEW 3M A	B618 UNIVERSAL TRIM 3M	3	5	15	5905952243985	5905952244562	5905952245149
3022459	L.BOAZ. B619 UNIWERSALNA NEW 3M A	B619 UNIVERSAL TRIM 3M	3	5	15	5905952243992	5905952244579	5905952245156
3022460	L.BOAZ. B620 UNIWERSALNA NEW 3M A	B620 UNIVERSAL TRIM 3M	3	5	15	5905952244005	5905952244586	5905952245163
3022461	L.BOAZ. B621 UNIWERSALNA NEW 3M A	B621 UNIVERSAL TRIM 3M	3	5	15	5905952244012	5905952244593	5905952245170

### **Dedicated trims B1-B5**

These types of trims are dedicated to a specific application when assembling Motivo walls, e.g. connecting with the ceiling.

New colours help even better match to Motivo decors.

Trims are 2,7 m long.







B1  
External angle

21 mm



B2  
Universal trim U

12 mm



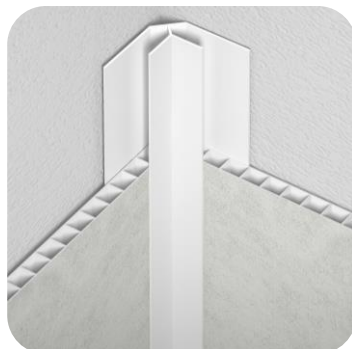
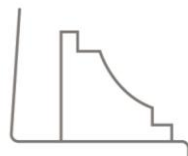
B3  
Joint

24 mm



B4  
Top edge  
(only in white)

29 mm



B5  
Internal angle

12 mm



## Dedicated trims



White



Pine



Light Brown



Birch



Olive



Mocca



Grey



Silver

\* these colours are dedicated for B1, B2, B3, B5

\* B4 trim only in white colour

## Dedicated trims – new colours



Graphite



Sand



Beige



Green bottle



Mint

**\* these colours are dedicated for B2, B3, B5**

# Logistic data

Index	New name	English name	Lenth (m)	Piece/ Cart.	MB/ Cart.	EAN Meter	EAN Piece	EAN Packaging
3022404	L.BOAZ. B1 KAŹ. ZEW. BIAŁA 270 A	B1 OUTER ANGLE WHITE 2,7M	2,7	15	40,5	5905952243442	5905952244029	5905952244609
3022405	L.BOAZ. B1 KAŹ. ZEW. JASNY BRAŹ 270 A	B1 OUTER ANGLE LIGHT BROWN 2,7M	2,7	5	13,5	5905952243459	5905952244036	5905952244616
3022406	L.BOAZ. B1 KAŹ. ZEW. MOCCA 270 A	B1 OUTER ANGLE MOCCA 2,7M	2,7	5	13,5	5905952243466	5905952244043	5905952244623
3022407	L.BOAZ. B1 KAŹ. ZEW. OLIWKOWY 270 A	B1 OUTER ANGLE OLIVE 2,7M	2,7	5	13,5	5905952243473	5905952244050	5905952244630
3022408	L.BOAZ. B1 KAŹ. ZEW. SREBRNA 270 A	B1 OUTER ANGLE SILVER 2,7M	2,7	5	13,5	5905952243480	5905952244067	5905952244647
3022409	L.BOAZ. B1 KAŹ. ZEW. SZARY 270 A	B1 OUTER ANGLE GREY 2,7M	2,7	5	13,5	5905952243497	5905952244074	5905952244654
3022410	L.BOAZ. B1 KAŹ. ZEW. WOOD BRZOZA 270 A	B1 OUTER ANGLE WOOD BIRCH 2,7M	2,7	5	13,5	5905952243503	5905952244081	5905952244661
3022411	L.BOAZ. B1 KAŹ. ZEW. WOOD SOSNA 270 A	B1 OUTER ANGLE WOOD PINE 2,7M	2,7	5	13,5	5905952243510	5905952244098	5905952244678

# Logistic data

Index	New name	English name	Lenth (m)	Piece/ Cart.	MB/ Cart.	EAN Meter	EAN Piece	EAN Packaging
3022412	L.BOAZ. B1 KAŁ. ZEW. GRAFIT 270 A	B1 OUTER ANGLE GRAPHITE 2,7M	2,7	5	13,5	5905952243527	5905952244104	5905952244685
3022413	L.BOAZ. B1 KAŁ. ZEW. PIASKOWY 270 A	B1 OUTER ANGLE SAND 2,7M	2,7	5	13,5	5905952243534	5905952244111	5905952244692
3022414	L.BOAZ. B1 KAŁ. ZEW. BEŻOWY 270 A	B1 OUTER ANGLE BEIGE 2,7M	2,7	5	13,5	5905952243541	5905952244128	5905952244708
3022415	L.BOAZ. B1 KAŁ. ZEW. BUTEL. ZIELEŃ 270 A	B1 OUTER ANGLE BOTTLE GREEN 2,7M	2,7	5	13,5	5905952243558	5905952244135	5905952244715
3022416	L.BOAZ. B1 KAŁ. ZEW. MIĘTOWY 270 A	B1 OUTER ANGLE MINT 2,7M	2,7	5	13,5	5905952243565	5905952244142	5905952244722
3022417	L.BOAZ. B2 WYKOŃCZ. BIAŁA 270 A	B2 FINISHING TRIM WHITE 2,7M	2,7	40	108	5905952243572	5905952244159	5905952244739
3022418	L.BOAZ. B2 WYKOŃCZ. JASNY BRĄZ 270 A	B2 FINISHING TRIM LIGHT BROWN 2,7M	2,7	10	27	5905952243589	5905952244166	5905952244746
3022419	L.BOAZ. B2 WYKOŃCZ. MOCCA 270 A	B2 FINISHING TRIM MOCCA 2,7M	2,7	10	27	5905952243596	5905952244173	5905952244753

# Logistic data

Index	New name	English name	Lenth (m)	Piece/ Cart.	MB/ Cart.	EAN Meter	EAN Piece	EAN Packaging
3022420	L.BOAZ. B2 WYKOŃCZ. OLIWKOWY 270 A	B2 FINISHING TRIM OLIVE 2,7M	2,7	10	27	5905952243602	5905952244180	5905952244760
3022421	L.BOAZ. B2 WYKOŃCZ. SREBRNA 270 A	B2 FINISHING TRIM SILVER 2,7M	2,7	10	27	5905952243619	5905952244197	5905952244777
3022422	L.BOAZ. B2 WYKOŃCZ. SZARY 270 A	B2 FINISHING TRIM GREY 2,7M	2,7	10	27	5905952243626	5905952244203	5905952244784
3022423	L.BOAZ. B2 WYKOŃCZ. WOOD BRZOZA 270 A	B2 FINISHING TRIM WOOD BIRCH 2,7M	2,7	10	27	5905952243633	5905952244210	5905952244791
3022424	L.BOAZ. B2 WYKOŃCZ. WOOD SOSNA 270 A	B2 FINISHING TRIM WOOD PINE 2,7M	2,7	10	27	5905952243640	5905952244227	5905952244807
3022425	L.BOAZ. B2 KĄT. ZEW. GRAFIT 270 A	B2 FINISHING TRIM GRAPHITE 2,7M	2,7	10	27	5905952243657	5905952244234	5905952244814
3022426	L.BOAZ. B2 KĄT. ZEW. PIASKOWY 270 A	B2 FINISHING TRIM SAND 2,7M	2,7	10	27	5905952243664	5905952244241	5905952244821
3022427	L.BOAZ. B2 KĄT. ZEW. BEŻOWY 270 A	B2 FINISHING TRIM BEIGE 2,7M	2,7	10	27	5905952243671	5905952244258	5905952244838

# Logistic data

Index	New name	English name	Lenth (m)	Piece/ Cart.	MB/ Cart.	EAN Meter	EAN Piece	EAN Packaging
3022428	L.BOAZ. B2 KAŁ. ZEW. BUTEL. ZIELEŃ 270 A	B2 FINISHING TRIM BOTTLE GREEN 2,7M	2,7	10	27	5905952243688	5905952244265	5905952244845
3022429	L.BOAZ. B2 KAŁ. ZEW. MIĘTOWY 270 A	B2 FINISHING TRIM MINT 2,7M	2,7	10	27	5905952243695	5905952244272	5905952244852
3022430	L.BOAZ. B3 ŁĄCZNIK SZARY 270 A	B3 CONNECTOR GREY 2,7M	2,7	5	13,5	5905952243701	5905952244289	5905952244869
3022431	L.BOAZ. B3 ŁĄCZNIK BIAŁA 270 A	B3 CONNECTOR WHITE 2,7M	2,7	15	40,5	5905952243718	5905952244296	5905952244876
3022432	L.BOAZ. B3 ŁĄCZNIK JASNY BRAŹ 270 A	B3 CONNECTOR LIGHT BROWN 2,7M	2,7	5	13,5	5905952243725	5905952244302	5905952244883
3022433	L.BOAZ. B3 ŁĄCZNIK MOCCA 270 A	B3 CONNECTOR MOCCA 2,7M	2,7	5	13,5	5905952243732	5905952244319	5905952244890
3022434	L.BOAZ. B3 ŁĄCZNIK OLIWKOWY 270 A	B3 CONNECTOR OLIVE 2,7M	2,7	5	13,5	5905952243749	5905952244326	5905952244906
3022435	L.BOAZ. B3 ŁĄCZNIK SREBRNA 270 A	B3 CONNECTORSILVER 2,7M	2,7	5	13,5	5905952243756	5905952244333	5905952244913

# Logistic data

Index	New name	English name	Lenth (m)	Piece/ Cart.	MB/ Cart.	EAN Meter	EAN Piece	EAN Packaging
3022436	L.BOAZ. B3 ŁĄCZNIK WOOD BRZOZA 270 A	B3 CONNECTOR WOOD BIRCH 2,7M	2,7	5	13,5	5905952243763	5905952244340	5905952244920
3022437	L.BOAZ. B3 ŁĄCZNIK WOOD SOSNA 270 A	B3 CONNECTORWOOD PINE 2,7M	2,7	5	13,5	5905952243770	5905952244357	5905952244937
3022438	L.BOAZ. B3 KĄT. ZEW. GRAFIT 270 A	B3 CONNECTOR GRAPHITE 2,7M	2,7	5	13,5	5905952243787	5905952244364	5905952244944
3022439	L.BOAZ. B3 KĄT. ZEW. PIASKOWY 270 A	B3 CONNECTOR SAND 2,7M	2,7	5	13,5	5905952243794	5905952244371	5905952244951
3022440	L.BOAZ. B3 KĄT. ZEW. BEŻOWY 270 A	B3 CONNECTOR BEIGE 2,7M	2,7	5	13,5	5905952243800	5905952244388	5905952244968
3022441	L.BOAZ. B3 KĄT. ZEW. BUTEL. ZIELEŃ 270 A	B3 CONNECTOR BOTTLE GREEN 2,7M	2,7	5	13,5	5905952243817	5905952244395	5905952244975
3022442	L.BOAZ. B3 KĄT. ZEW. MIĘTOWY 270 A	B3 CONNECTOR MINT 2,7M	2,7	5	13,5	5905952243824	5905952244401	5905952244982
3022443	L.BOAZ. B4 Z KIESZENIĄ BIAŁA 270 A	B4 PROFILE WITH A POCKET WITH 2,7M	2,7	20	54	5905952243831	5905952244418	5905952244999



# Logistic data

Index	New name	English name	Lenth (m)	Piece/ Cart.	MB/ Cart.	EAN Meter	EAN Piece	EAN Packaging
3022444	L.BOAZ. B5 KAŁ. WEW. BIAŁA 270 A	B5 INTERIOR ANGLE WHITE 2,7M	2,7	15	40,5	5905952243848	5905952244425	5905952245002
3022445	L.BOAZ. B5 KAŁ. WEW. JASNY BRAŹ 270 A	B5 INTERIOR ANGLE LIGHT BROWN 2,7M	2,7	5	13,5	5905952243855	5905952244432	5905952245019
3022446	L.BOAZ. B5 KAŁ. WEW. MOCCA 270 A	B5 INTERIOR ANGLE MOCCA 2,7M	2,7	5	13,5	5905952243862	5905952244449	5905952245026
3022447	L.BOAZ. B5 KAŁ. WEW. OLIWKOWY 270 A	B5 INTERIOR ANGLE OLIVE 2,7M	2,7	5	13,5	5905952243879	5905952244456	5905952245033
3022448	L.BOAZ. B5 KAŁ. WEW. SREBRNA 270 A	B5 INTERIOR ANGLE SILVER 2,7M	2,7	5	13,5	5905952243886	5905952244463	5905952245040
3022449	L.BOAZ. B5 KAŁ. WEW. SZARY 270 A	B5 INTERIOR ANGLE GREY 2,7M	2,7	5	13,5	5905952243893	5905952244470	5905952245057
3022450	L.BOAZ. B5 KAŁ. WEW. WOOD BRZOZA 270 A	B5 INTERIOR ANGLE WOOD BIRCH 2,7M	2,7	5	13,5	5905952243909	5905952244487	5905952245064
3022451	L.BOAZ. B5 KAŁ. WEW. WOOD SOSNA 270 A	B5 INTERIOR ANGLE WOOD PINE 2,7M	2,7	5	13,5	5905952243916	5905952244494	5905952245071

# Logistic data

Index	New name	English name	Lenth (m)	Piece/ Cart.	MB/ Cart.	EAN Meter	EAN Piece	EAN Packaging
3022452	L.BOAZ. B5 KĄT. ZEW. GRAFIT 270 A	B5 INTERIOR ANGLE GRAPHITE 2,7M	2,7	5	13,5	5905952243923	5905952244500	5905952245088
3022453	L.BOAZ. B5 KĄT. ZEW. PIASKOWY 270 A	B5 INTERIOR ANGLE SAND 2,7M	2,7	5	13,5	5905952243930	5905952244517	5905952245095
3022454	L.BOAZ. B5 KĄT. ZEW. BEŻOWY 270 A	B5 INTERIOR ANGLE BEIGE 2,7M	2,7	5	13,5	5905952243947	5905952244524	5905952245101
3022455	L.BOAZ. B5 KĄT. ZEW. BUTEL. ZIELEŃ 270 A	B5 INTERIOR ANGLE BOTTLE GREEN 2,7M	2,7	5	13,5	5905952243954	5905952244531	5905952245118
3022456	L.BOAZ. B5 KĄT. ZEW. MIĘTOWY 270 A	B5 INTERIOR ANGLE MINT 2,7M	2,7	5	13,5	5905952243961	5905952244548	5905952245125



Installation guide

## Dedicated trims B1-B5

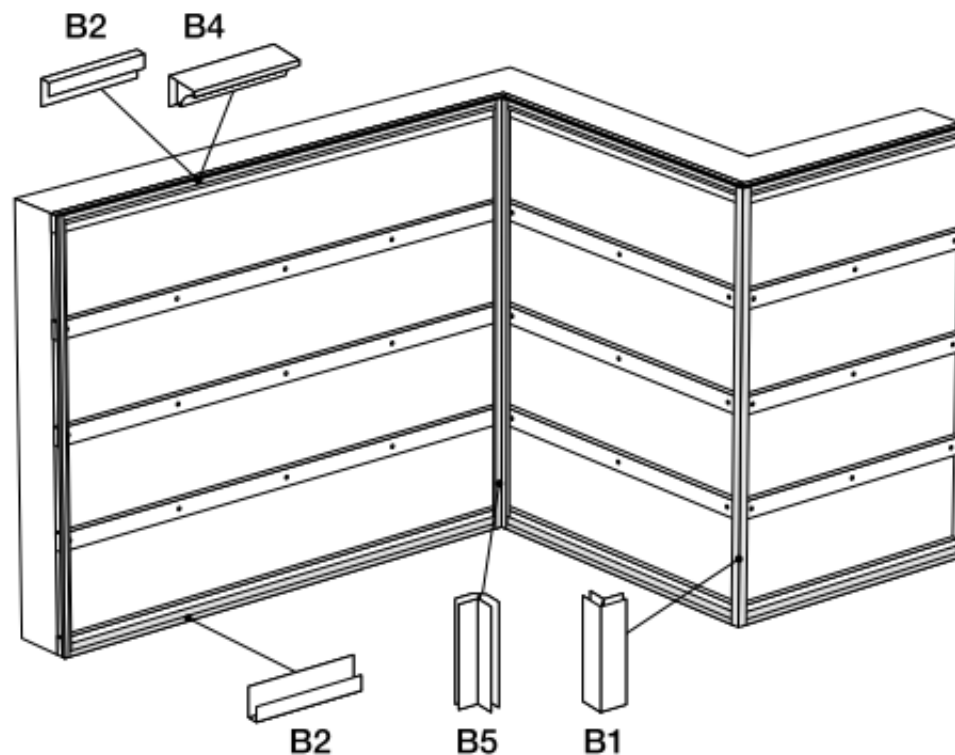
Install dedicated trims before mounting Decorative wall Motivo.

### Installation using an adhesive:

- Measure dedicated trim
- Cut the trim to the right length
- Apply the adhesive and mount on the wall

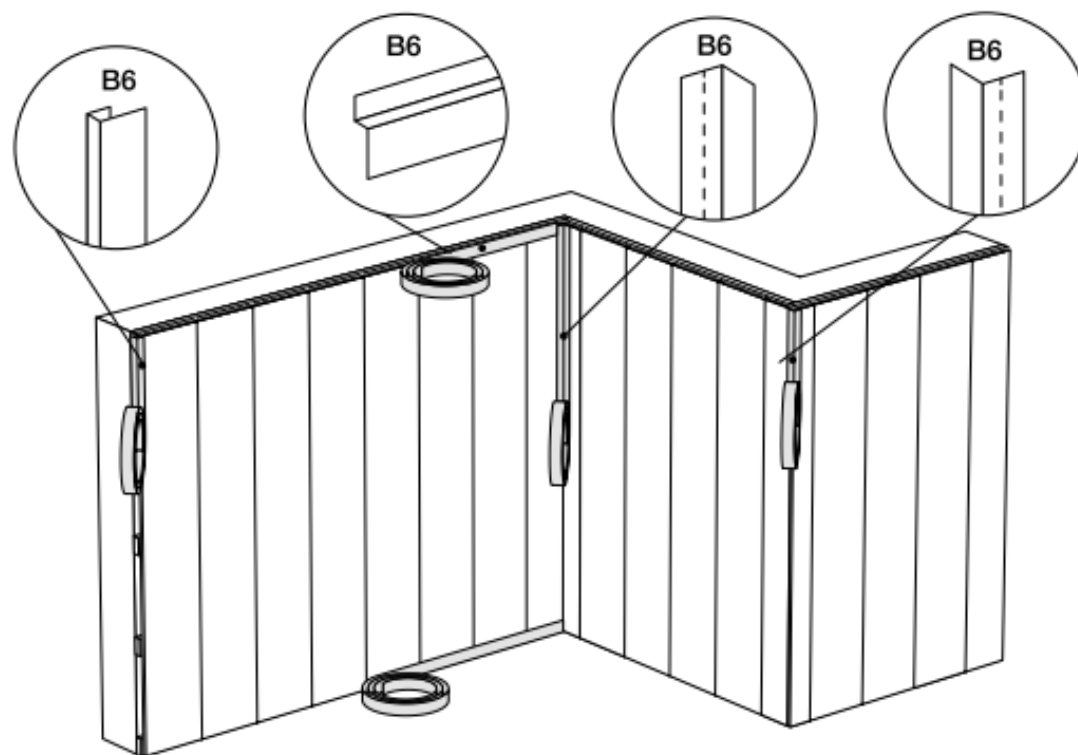
### Installation on a frame:

- Measure dedicated trim
- Cut the trim to the right length
- Attach the trim to the frame with a tacker



## Universal trim B6

Stick self-adhesive, universal trim after installing Motivo.





Marketing materials

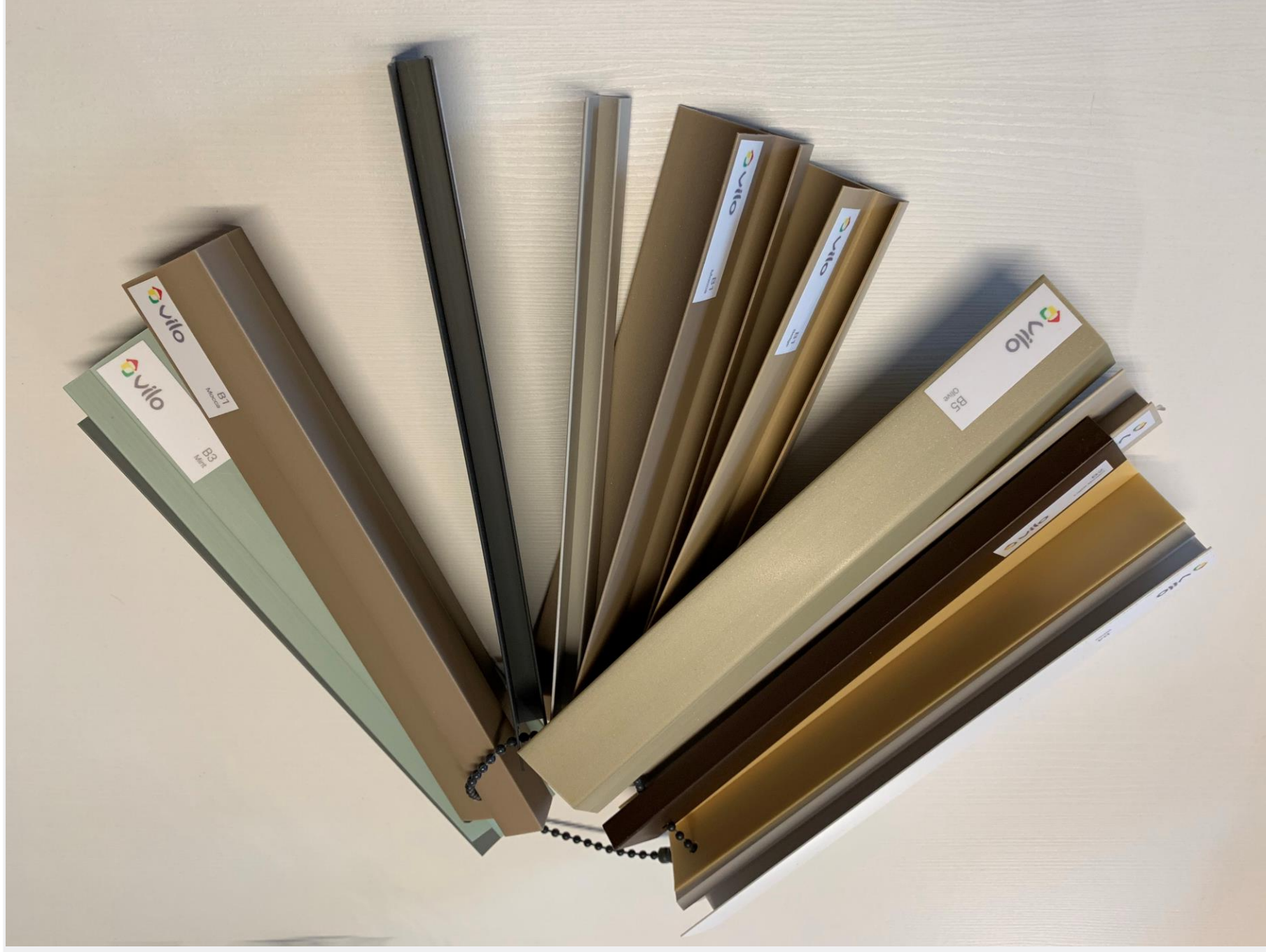


B6 samples





B1-B5 samples







Thank you